

# MERIDIAN



## SWING AWAY AUGERS

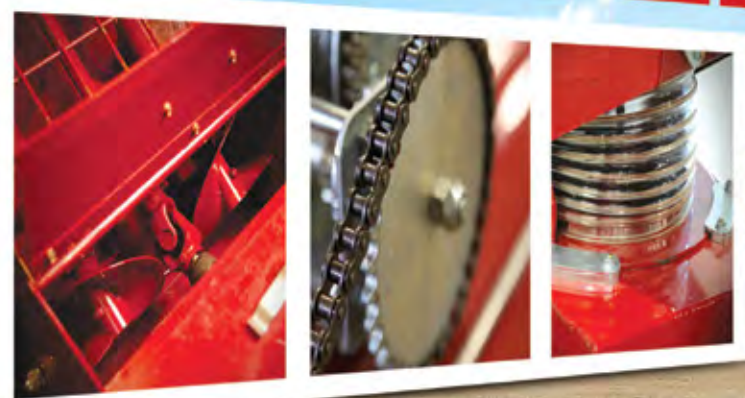


Make your move.

**MAKE  
YOUR  
MOVE.**

# MERIDIAN

At Meridian, we want to help our customers get their work done faster, safer & more efficiently. Our products are designed with the features that farmers need and constructed using high-quality parts and industry-leading manufacturing techniques, meaning that our augers keep performing, season after season.



[MeridianAugers.com](http://MeridianAugers.com)

# SLMD SCISSOR LIFT MECHANICAL DRIVE GRAIN AUGER



## HOPPER

The self-leveling, low profile hopper features a patented drive system that turns the two Super-Edge™ flighting augers toward the center of the hopper and creates a smooth flow of product to the feed tube.



## TRANSITION

Enclosed transition between the feed auger and the main tube reduces dust while the easy access clean out doors make clearing the tube and maintaining parts easy.



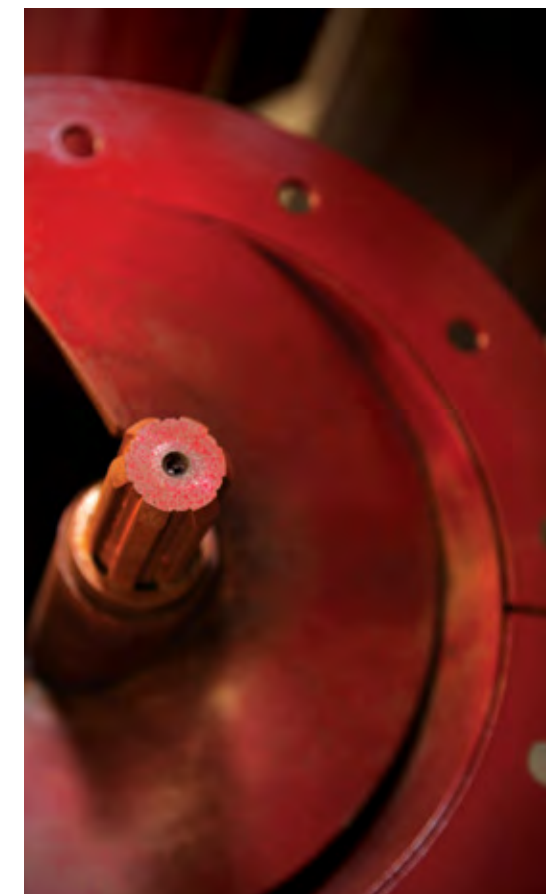
## AXLE

Wheels can expand from axle to provide greater stability during operation and can be removed easily for repairs.



## HEAD END

Heavy duty gear boxes in the feed auger head and main tube can handle any delivery challenge.



## HOPPER LIFT

Accommodate any operating situation by placing the hopper on the left or right hand side of the main tube.

## ACCESSORIES

- Polyethylene telescoping spout (42" length)
- Radial tires (sold in pairs)
- Swing-Away Hopper Mover

## FLIGHTING

We roll form the flighting directly onto the shaft to create a long lasting product that is balanced to run smooth and quiet. That means less wear and tear and an increased lifespan on every auger we manufacture. Flighting shaft connections are made with a spline coupler, this allows for flexible movement of the shaft within the tube.





We know your livelihood depends on moving grain **safely and quickly.**

Our **SLMD** augers provide the **durable, steadfast quality** farmers can

rely on to move product **efficiently** and without worry. Quality is in the details.

Meridian augers are powder coated producing a long lasting finish. It's durable and it looks

good, now and into the future adding value for resale.

**We understand your needs.** At Meridian,

the reversing kit comes standard with our swing away augers

and we're **the only ones** who can say that.

# SLMD

## SCISSOR LIFT MECHANICAL DRIVE GRAIN AUGER

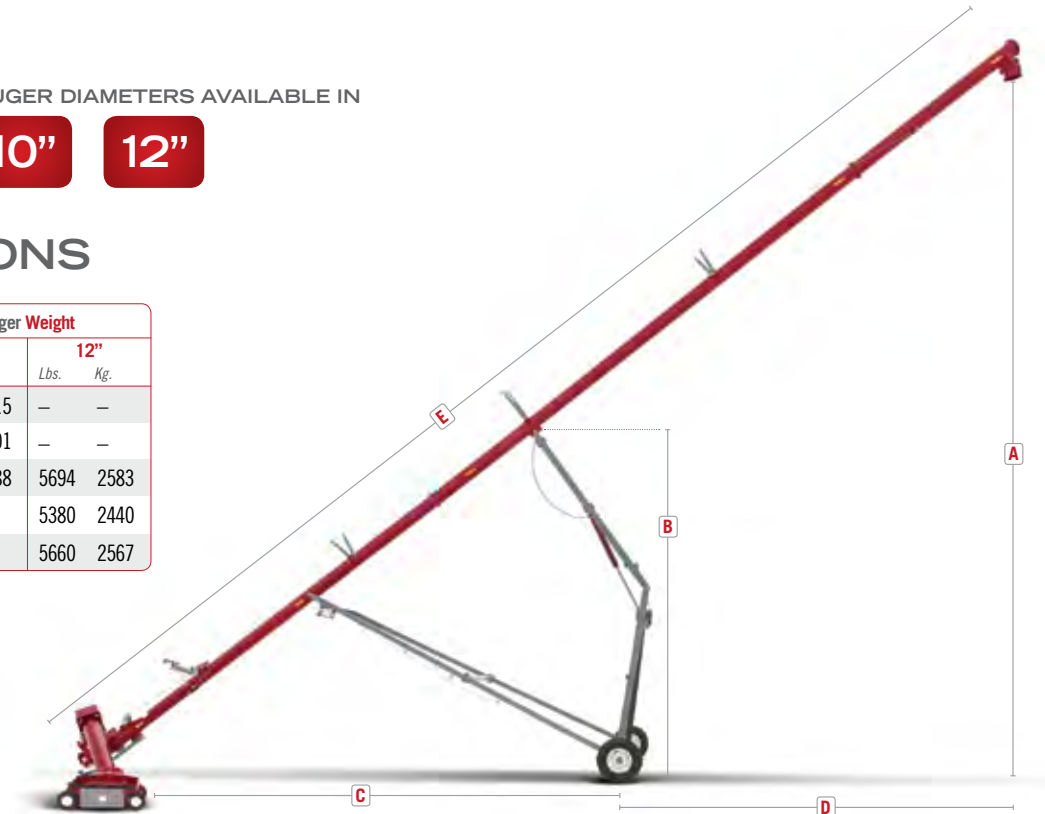
### AN INDUSTRY FIRST

Meridian augers are backed by an unprecedented, **three-year parts and labor warranty.** Visit [MeridianAugers.com](http://MeridianAugers.com) for full details.

AUGER DIAMETERS AVAILABLE IN  
**MERIDIAN** **10"** **12"**

### SPECIFICATIONS

Model	Auger Length		Auger Weight			
	Feet	Meters	10"		12"	
			Lbs.	Kg.	Lbs.	Kg.
SLMD59	59' 0"	18	3120	1415	-	-
SLMD66	65' 7"	20	3310	1501	-	-
SLMD72	72' 2"	22	3500	1588	5694	2583
SLMD79	78' 8"	24	-	-	5380	2440
SLMD85	85' 3"	26	-	-	5660	2567



		SLMD59		SLMD66		SLMD72		SLMD79		SLMD85	
		Feet	Meters	Feet	Meters	Feet	Meters	Feet	Meters	Feet	Meters
<b>A</b>	RAISED	37' 11"	11.8	41' 11"	12.8	46' 1"	14.0	49' 6"	15.0	53' 7"	16.3
	LOWERED	12' 1"	3.7	12' 1"	3.7	12' 2"	3.7	10' 9"	3.3	10' 9"	3.3
<b>B</b>	RAISED	20' 11"	6.4	22' 11"	7.0	25' 0"	7.6	27' 4"	8.3	29' 4"	8.9
	LOWERED	6' 8"	2.0	6' 8"	2.0	6' 8"	2.0	6' 6"	2.0	6' 6"	2.0
<b>C</b>	RAISED	25' 11"	8.0	28' 2"	8.6	30' 4"	9.3	33' 1"	10.1	35' 9"	10.9
	LOWERED	30' 1"	9.1	33' 3"	10.1	36' 6"	11.1	43' 1"	13.1	46' 5"	14.1
<b>D</b>	RAISED	20' 4"	6.2	23' 4"	7.2	26' 3"	8.0	28' 3"	8.6	30' 10"	9.4
	LOWERED	26' 2"	8.0	29' 8"	9.0	33' 0"	10.1	34' 8"	10.6	37' 11"	11.6
<b>E</b>		59' 0"	18.0	65' 7"	20.0	72' 2"	22.0	79' 0"	24.0	85' 7"	26.1

	SLMD10	SLMD12
<b>Auger Tube</b>	10" OD x 13 gauge tubing	12" OD x 12 gauge tubing
<b>Flight</b>	7 gauge	7 gauge
<b>Drive</b>	PTO	PTO
<b>Lift</b>	4 1/2" OD Hydraulic Cylinder	4 1/2" OD Hydraulic Cylinder
<b>Swing Auger</b>	Low Profile, PTO driven incls. Steel cut sprockets & high speed roller chain	Low Profile, PTO driven incls. Steel cut sprockets & high speed roller chain
<b>Undercarriage</b>	2" x 6" x 3/16" and 3" x 4" x 3/16" square structural tubing	2" x 6" x 3/16" and 3" x 4" x 3/16" square structural tubing
<b>Wheels</b>	16" wheels c/w tapered roller bearings	16" wheels c/w tapered roller bearings
<b>Hopper Size</b>	36" x 52" x 10"	41" x 52" x 12"
<b>Power Required</b>	50 - 90 HP Tractor	100 - 120 HP Tractor
<b>Capacity Per Hour</b>	4,500 - 6,000 bushels per hour	7,800 - 9,000 bushels per hour

Details in spec sheets and capacities per hour are approximate.



[MeridianAugers.com](http://MeridianAugers.com)

Toll Free: **1 (855) 564-5947**

2902 Expansion Blvd.  
Storm Lake, Iowa, United States 50588

2800 Pasqua St. North, PO Box 1996  
Regina, Saskatchewan, Canada S4P 3E1

927 Douglas Street  
Brandon, Manitoba, Canada R7A 7B3